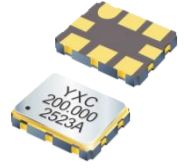


# Programmable Crystal Oscillator YSO692PR

## Low Jitter



### Applications

- Networking
- Industrial

### Features

- Wide Frequency Range : 150 ~ 250MHz
- Ultra-low Phase Jitter : 150fsec ( Typ )  
@ 3.3V, 156.250 MHz

- Low Jitter Design with New Developed IC
- Package Size: 3.2\*2.5mm, 5.0\*3.2mm,  
7.0\*5.0mm

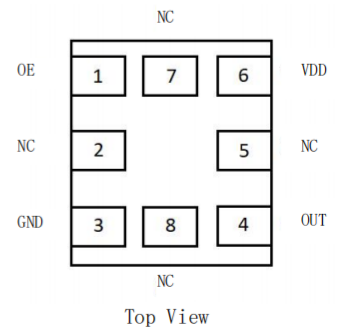
## Specifications (规格参数)

Item / Type	CMOS
Frequency Range 额定频率范围	150MHz ~ 250MHz
Supply Voltage Variation (VDD)10% 电源电压	1.8 V, 2.5 V, 3.3 V
Frequency Tolerance 频率偏差	±20ppm, ±50ppm, ±100ppm, or specify
Output Load 输出负载	15pF
Operating Temperature Range 工作温度	-40~+85°C, or specify
Storage Temperature Range 储存温度	-55 ~ +150°C
Voltage VOH ( Min. ) / VOL ( Max. ) 输出电压	VOH = 90%VDD / VOL = 10%VDD
Rise Time / Fall Time ( 10% to 90% Waveform ) 上升沿/下降沿	5.0nsec (Max)
Duty Cycle 占空比	45~55%
Start-up Time 启动时间	5msec (Typ) ; 10msec (Max)
Phase Jitter [12 kHz ~ 20 MHz] (相位抖动)	156.250MHz: 159fsec;
Current Consumption( VDD = + 3.3 V ) 消耗电流	75mA (Typ); 90mA ( Max)
Disable Current 禁用电流	62mA ( Typ)
Enable / Disable Function on Pad1 启动/禁用功能	80% of VDD (Min) to enable output
Enable / Disable Time 启动/禁用时间	20% of VDD (Max) to disable output
Frequency Aging (at 25°C) 老化率	±3 ppm / year Max

## Pin Dimension (脚位尺寸)

Pin	#1	#2	#3	#4
FUNCTION	Output Enable	No Connection	Ground	Output
Pin	#5	#6	#7	#8
FUNCTION	No Connection	Supply Voltage	No Connection	No Connection

### Pin Assignments



# Programmable Crystal Oscillator YSO692PR

# Low Jitter



## Dimensions and Recommended Land Pattern (外观尺寸及推荐焊盘)

Dimensions (Unit: mm)	Recommended Land Pattern (Unit: mm)
<p>3.2*2.5mm</p> <p>Top view</p> <p>Bottom view</p> <p>Side view</p>	
<p>5.0*3.2mm</p> <p>Top view</p> <p>Bottom view</p> <p>Side view</p>	
<p>7.0*5.0mm</p> <p>Top view</p> <p>Bottom view</p> <p>Side view</p>	

