

Programmable Crystal Oscillator YSO692PR

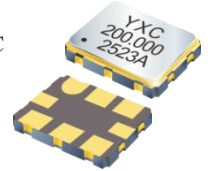


Applications

- networking
- industrial

Features

- High Frequency Range : 150-250MHz.
- Ultra-low RMS Jitter : 150fsec (typ.) @ 3.3V , 156.250 MHz
- Low jitter design with new developed IC
- Package Size: 3.2*2.5mm, 5.0*3.2mm, 7.0*5.0mm

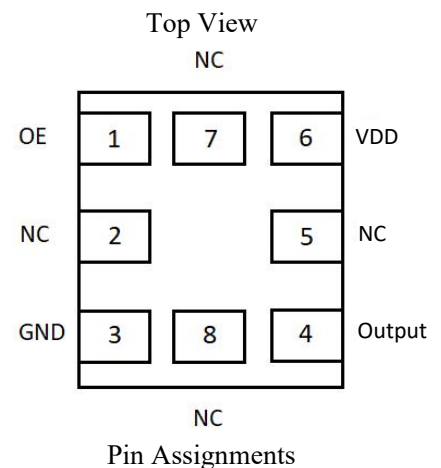


Specifications

Item / Type	CMOS
Frequency Range	150MHz to 250MHz
Supply Voltage Variation (Vdd)10%	1.8 V, 2.5 V, 3.3 V
Frequency Tolerance	±20ppm, ±50ppm, ±100ppm or specify
Output Load	15pF
Operating Temperature Range	-40~+85°C, or specify
Storage Temperature Range	-55~+150°C
Rise Time / Fall Time (10% to 90% Waveform)	5.0nsec. (max.)
Duty Cycle	45~55%
Start-up Time	5msec (typ.) ; 10msec. (max.)
RMS Jitter (typ.) (12 KHz to 20 MHz)	156.250 MHz : 159fsec. ; 491.520 MHz : 155fsec. ; 644.530 MHz : 151fsec. ; 2,000 MHz : 163fsec
Current Consumption(VDD = + 3.3 V)	75mA (typ.) ; 90mA (max.)
Disable Current	62mA (typ.)
Enable / Disable Function on Pad1	80% of VDD (min.) to enable output.
Enable / Disable Time	20% of VDD (max.) to disable output.
Frequency Aging (at 25°C)	2.5msec. (max.) / 10usec. (max.)

Pin Dimension

Pin	#1	#2	#3	#4
FUNCTION	Output Enable	No Connection	Ground	Output
Pin	#5	#6	#7	#8
FUNCTION	No Connection	Supply Voltage	No Connection	No Connection



Programmable Crystal Oscillator YSO692PR



Dimensions and Recommended land pattern

Package Size – Dimensions (Unit: mm)	Recommended Land Pattern (Unit: mm)
<p>3.2*2.5mm</p> <p>Top view</p> <p>Bottom view</p> <p>Side view</p>	
<p>5.0*3.2mm</p> <p>Top view</p> <p>Bottom view</p> <p>Side view</p>	
<p>7.0*5.0mm</p> <p>Top view</p> <p>Bottom view</p> <p>Side view</p>	

Programmable
Crystal Oscillator
YSO692PR



Test Circuit

